



MEEK MIRRORS, LLC
 PO Box 11200
 Fort Smith, Arkansas 72917-1200
 800-643-2533 Fax 479-646-6231
www.meekmirrors.com

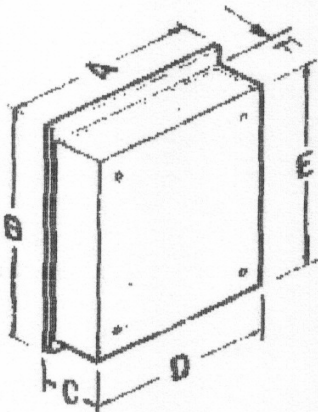
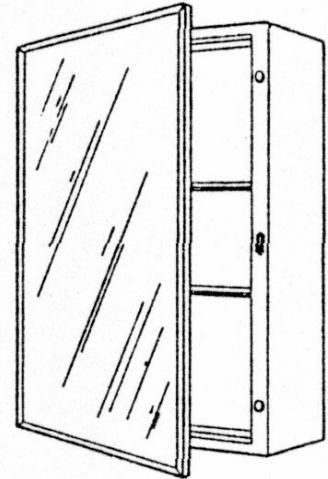
**Architectural
 Specification**

SURFACE MOUNT MEDICINE CABINET	DATE 2/2010	MODEL M7000	SHEET NO. 21-01
-----------------------------------	----------------	----------------	--------------------

Standard builder models — surface mount installation and stainless steel frame mirrored swing doors.

FEATURES:

- ◆ Surface mount installation
- ◆ Easy to clean, one piece, heavy gauge construction
- ◆ Plate glass mirror
- ◆ Rust resistant
- ◆ Full piano hinge
- ◆ Adjustable shelves
- ◆ Reversible for left-hand or right-hand door opening
- ◆ Includes mounting hardware



Overall Size			Body Size		
A	B	C	D	E	F
16"	22"	5"	15 1/2"	21 1/2"	4 1/2"
16"	26"	5"	15 1/2"	25 1/2"	4 1/2"

TYPICAL SPECIFICATION:

Product shall be Model M7000 as distributed by Meek Mirrors - Fort Smith, Arkansas. Above data is applicable to productions as of the date of this technical data sheet. The manufacturer reserves the right to make changes in design without formal notice.

Meek Mirrors gives a one year guarantee on all of their products against defects in workmanship and material.

Surface mount bathroom cabinet shall be fabricated of heavy gauge steel construction finish in E-Coated white paint after forming.

Cabinet shall have full piano hinge and a magnetic door catch.

Plate (window) glass mirror shall have full surround of stainless frame with tab closure. Steel door back shall be fitted tight within the frame and finished in E-coated white paint to match the cabinet.