

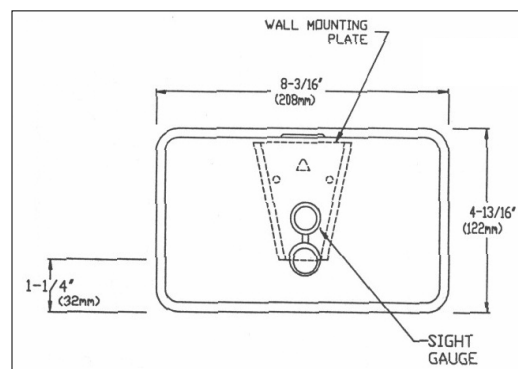
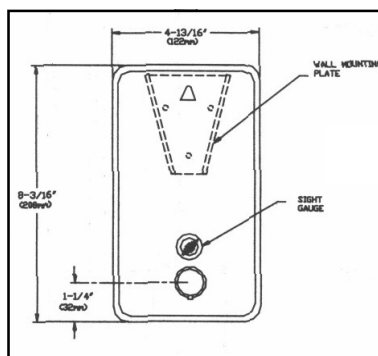


MEEK MIRRORS, LLC
 PO Box 11200
 Fort Smith, Arkansas 72917-1200
 800-643-2533 Fax 479-646-6231
www.meekmirrors.com

**Architectural
 Specification**

STAINLESS STEEL VERTICAL AND HORIZONTAL SOAP DISPENSER	DATE 2/2010	MODEL M6110 Horizontal M6210 Vertical	SHEET NO. 16-01
--	----------------	---	--------------------

MODEL M6110 AND M6210 STAINLESS STEEL VERTICAL AND HORIZONTAL SOAP DISPENSER



MATERIALS: Constructed of stainless steel with a No.4 satin finish.

FEATURES: This product has a concealed fastener, an all purpose soap valve, unbreakable refill window and a hinged filler top. Overall measurements are 8-1/8" x 4-3/4" x 5-1/4".

INSTALLATION: Mount wall plate to wall with four No.10 self tapping screws which are included. Mount dispenser over wall plate and secure with the locking screw.

GUARANTEE: Meek Mirrors gives a one year guarantee on all of their products against defects in workmanship and material.

SPECIFICATION: Product shall be Model M6110 (horizontal) or M 6210 (vertical) as distributed by Meek Mirrors - Fort Smith, Arkansas. Above data is applicable to productions as of the date of this technical data sheet. The manufacturer reserves the right to make changes in design without formal notice.