

FINALLY... A FAST HAND DRYER.

FAST! Dries Hands **Completely** in 10-15 Seconds

Excel's research team has developed the **XLERATOR**® with **patented technology** that delivers **three-times-faster** hand drying performance. Conventional hand dryers take from 30 to 45 seconds to get a user's hands totally dry, and very few of us are willing to wait that long. With the automatic sensor-activated **XLERATOR**, not only do your hands get dry in 10 to 15 seconds, but consumer test participants report that their hands also felt *warm, soft* and *really dry*.

Uses 80% Less Energy.

Not only does the **XLERATOR** dry hands in one third of the time required by conventional hand dryers, our hand-drying system is designed to run on 15-amp service (making it great for older buildings). The combination of these two factors results in 80% less energy cost per use vs. conventional hand dryers.

GreenSpec® Approved and Qualifies for LEED® Credits.



XLERATOR is the first hand dryer to achieve GreenSpec approval because it meets a number of GreenSpec standards; conserves energy, has low maintenance requirements and reduces waste.



XLERATOR also qualifies for LEED (Leadership in Energy and Environmental Design) Credits under EA Credit 1 (optimize energy performance) and EA Prerequisite 2 (minimum energy performance).

95% Cost Savings vs. Paper Towels

Converting to the **XLERATOR** hand dryer will result in more than a 95% savings vs. paper towel costs. In addition to paper towels, the following costs are also eliminated: ordering, storing, replenishing, collecting and disposing of bacteria-laden paper towel waste.

Promotes Hygiene.

People are increasingly concerned with the spread of germs these days, especially in public restrooms. The automatic sensor-activated **XLERATOR** hand dryer is a great addition to today's **no-touch** washrooms. The **XLERATOR** also speeds up the required hand-washing process for employees, getting them back on the job faster and with clean hands.



3 Times Faster!

XLERATOR IS RECEIVING A LOT OF ATTENTION

Ask about our Promotional Video
As seen on CNN Headline News
hosted by Terry Bradshaw.



(Available on CD or view it on our Web site's "What's New" page)

TELEVISION APPEARANCES



AWARDS

Best New Product - Technology
(International Hotel, Motel and Restaurant Show)



Top Ten Green Product
(Environmental Building News)

Innovator of the Year
(California Restaurant Association)

FEATURED ARTICLES

The Wall Street Journal
Sanitary Maintenance
Environmental Building News
American School and University



TIME TO THROW IN THE TOWEL.

Model XL-W



Surface-mounted, Automatic,
White Epoxy Paint

Model XL-GR



Surface-mounted, Automatic,
Textured Graphite Epoxy Paint.

Model XL-C



Surface-mounted, Automatic,
Chrome Plated

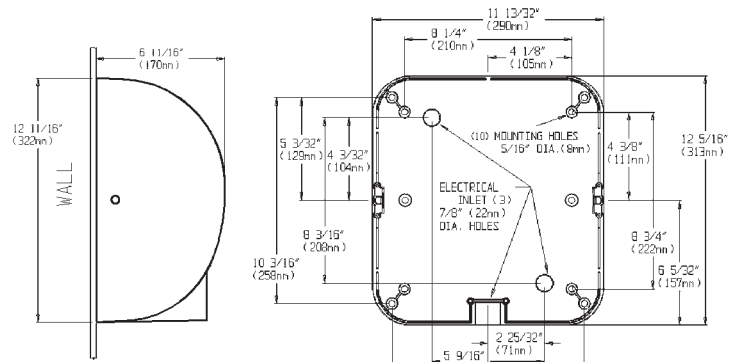
XLERATOR® HAND DRYER SPECIFICATIONS

Suggested Mounting Heights
From floor to Bottom of Dryer

	Hand Dryers
Men's	45" (114 cm)
Ladies'	43" (109 cm)
Teenagers'	41" (104 cm)
Sm. Children	35" (89 cm)
Handicapped	37" (94 cm)

Units are Available
as Specified in:

110/120V	12.5 Amp	60 Hz
208V	7.0 Amp	60 Hz
220/240	6.5 Amp	60 Hz
277V	5.5 Amp	60 Hz
220/240V	6.5 Amp	50 Hz



Dimensions: 11 3/4" lg. X 12 11/16" high x 6 11/16" deep
(298 mm lg. X 322 mm high x 170 mm deep)
Weight: 17 lbs. (7.7 kgs.)

MECHANISM

A. Motor shall be a thermally protected, series commutated through-flow discharge vacuum motor/blower (5/8 HP / 20,000 RPM) which provides air velocity of 16,000 LFM (linear feet per minute) at the air outlet and 14,000 LFM at the hands (4 inches [102 mm] below air outlet).

B. Heating element is constructed of Nichrome wire and mounted inside the blower housing, thereby being vandal proof. It shall be protected by an automatic resetting thermostat, which shall open whenever air flow is cut off and shall close when flow of air is resumed. It shall produce an air temperature of up to 135°F (57°C) at a 72°F (22°C) ambient room temperature at the hands (4 inches [102 mm] below air outlet).

C. Control assembly is activated by an infrared optical sensor located next to the air outlet. The dryer shall operate as long as hands are under the air outlet. There is a 35-second lockout feature if hands are not removed.

LIMITED WARRANTY

The dryer shall be guaranteed to be free from defects for a period of five (5) years. Warranty shall include factory performed labor as well as the repair or exchange of defective parts, at manufacturer's option.

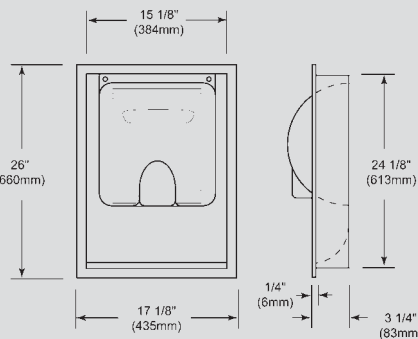
QUANTITY RECOMMENDATIONS

One dryer for every two washbasins is sufficient for most applications. If restroom traffic is unusually heavy, we suggest one dryer per washbasin in small installations and two dryers for every three washbasins in larger installations. When a 54" wash-fountain is used, we suggest four to five dryers.

ADA Compliant Recess Kit



RECESS KIT (Optional)



Dimensions: 28" lg. X 16 3/8" wide x 3 1/4" deep
(711 mm lg. X 416 mm wide x 83 mm deep)
Weight: 12 lbs. (5.5 kgs.)

Note: Base of recessed wall box should be 12 1/2" (32 cm) below suggested mounting height for dryer (see chart).

XLERATOR® HAND DRYER

CONSTRUCTION

A. Cover shall be a one-piece, heavy-duty, rib-reinforced, die-cast zinc alloy. It shall be lightweight, unbreakable, rustproof and all exposed surfaces shall be bright chrome plated or finished with chip-proof, electrostatically applied epoxy paint and fastened to a wall plate by two chrome plated tamper-proof bolts.

B. Wall plate shall be equipped with (3) 7/8" (22 mm) diameter holes, one of which shall be suitable for use with surface conduit, for ease of wiring.

C. All internal parts shall be coated according to Underwriters' Laboratories, Inc. requirements.

D. Entire mechanism shall be internally grounded.

E. Optional RECESS KIT includes a wall box fabricated of 22 GA 18-8 type 304 stainless steel with #4 satin finish and a 16 GA 18-8 type 304 stainless steel dryer mounting plate. All welded construction. A stainless steel cable is connected to the dryer mounting plate to hold the dryer in position when servicing.



Printed on recycled paper
Printed in the U.S.A.



EXCEL DRYER Inc.

357 Chestnut Street • P.O. Box 365
East Longmeadow, MA 01028 U.S.A.
Tel: (413) 525-4531, Fax: (413) 525-2853
Email: sales@exceldryer.com
www.exceldryer.com

