



**MEEK
MIRRORS**

www.meekmirrors.com

800-643-2533

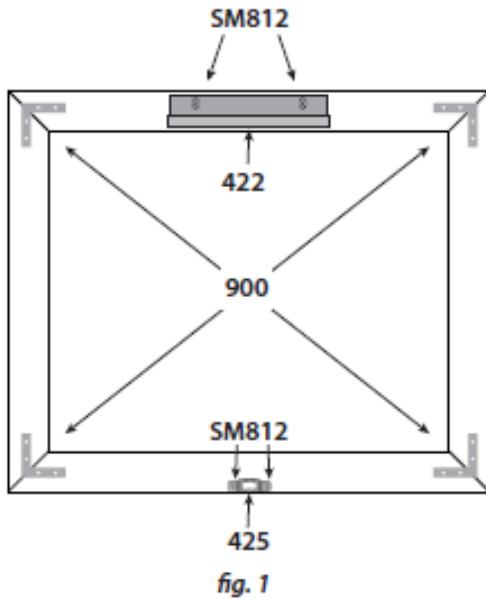


Figure 1 - Back of the Frame

- 1) Install (1) "L" Bracket (Part#900) with provided screws, per corner, as shown.
- 2) Install one metal cleat (Part #422) on the back of the frame with the provided #8 x 1/2" screws (Part #SM812) as shown (long side up).
- 3) Install the security bracket (Part #425) using two #8 x 1/2" screws (Part SM812) provided. Position the bracket so it is centered with the cleat on the top rail of the frame. Keep the straight side of bracket even with the outside edge of the frame.

Figure 2 - The Wall

- 1) For best results, always try to install into one or more wall studs. When no stud is available, **ALWAYS** use provided white wall anchors (Part #431W).
- 2) On the wall, at the appropriate height, install the second metal cleat with the provided #10 x 1" screws (Part #SM101).
- 3) Hang the frame by interlocking the cleats as shown in figure 3 (below). If needed, you can adjust the level of the frame by using the elongated holes on the cleat.

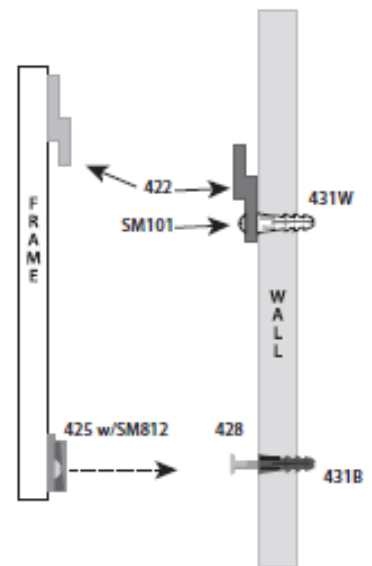
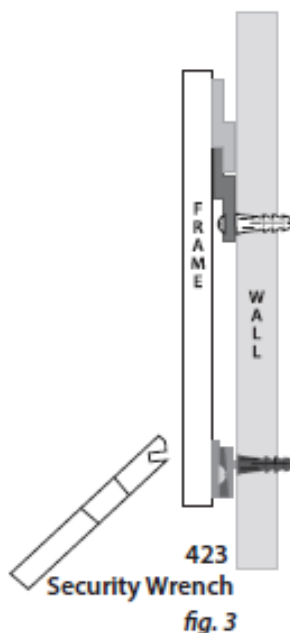


fig. 2

Figure 3 - Theft Resistant Installation Only



- 1) Follow the same steps as above. Once level, using a pencil, lightly trace the bottom edge of the #425 bracket on the wall.
- 2) Gently remove frame from wall. Using the center of the pencil line, measure up 5/16th of an inch and mark the wall. This should correspond to the center opening of the bracket, where it will rest on the wall.
- 3) At the mark from above, install the blue anchor (Part #431B) and T-screw (Part #428). Leave the T-Screw head approximately 3/8th of an inch off the wall in a horizontal position.
- 4) Place the frame back on wall ensuring that the T-Screw fit into the bracket (Part #425); adjust depth if needed. Using the supplied wrench (Part #423), insert the wrench behind the frame and turn the T-Screw 90 degrees. The frame should now be locked onto the wall.