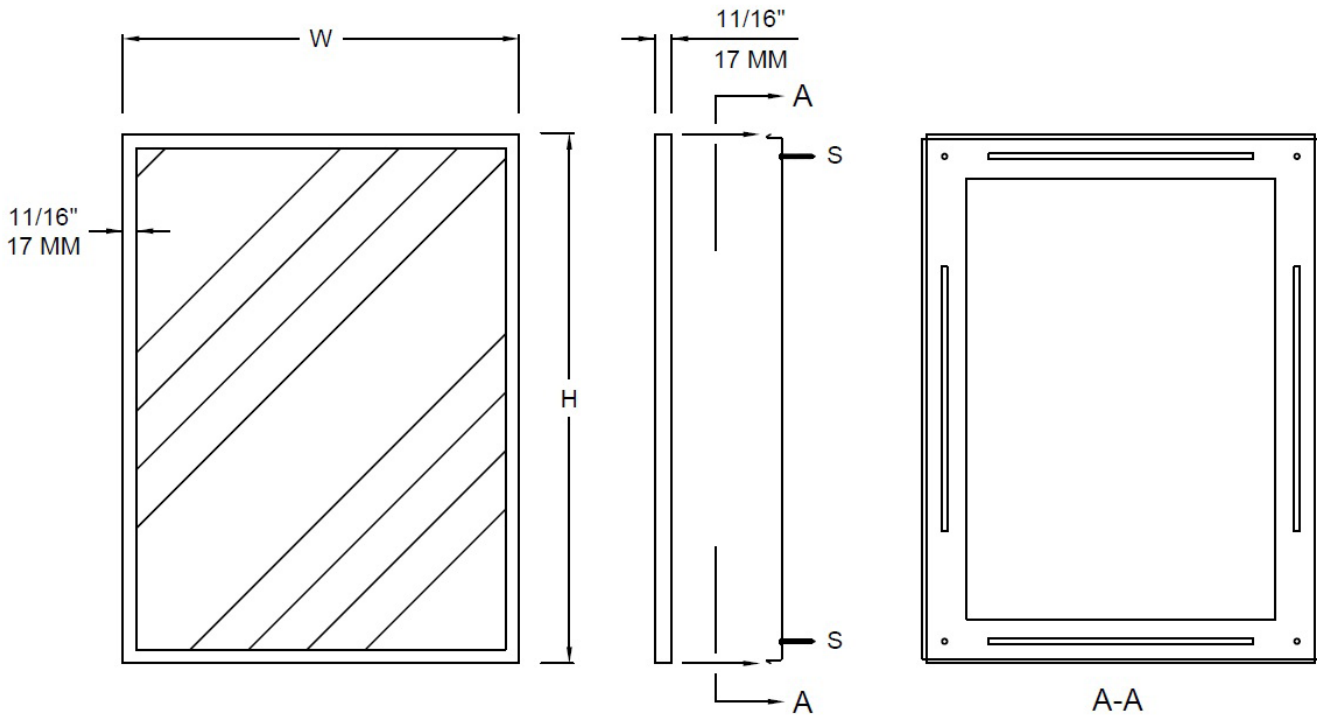


**Angle Framed Mirror**  
**M1100 & M1110 Frame Only**  
**M1200 & M1210 Framed Mirror**



**Architectural  
 Spec Sheet**

6201 S. Zero Street  
 Fort Smith, AR 72903  
 (479) 646-3466  
 www.meekmirrors.com



- ◀ **MIRROR:** #1 Quality 1/4" (6MM) Thick Float Glass Mirror, electrolytic copper Back, Guaranteed for 15 Years against silver spoilage. Other Glazes available.
- ◀ **MIRROR PROTECTION:** Resilient ethafoam cushioning strips with ample provision for venting.
- ◀ **WALLPLATE:** 22 Gauge (.76MM) Quality corrosion-resistant galvanized steel.
- ◀ **FRAME:** Welded corners, both the face & sides, right angle formed. Type 304, 18 gauge (1.06MM) Stainless steel highly finished to a satin brush or bright polished. 11/16" (17MM) Face, 11/16" (17MM) Depth.
- ◀ **GUARANTEE:** Meek gives a one year guarantee on all of their products against defects in workmanship and material. Improper installation voids warranty. Mirror glass is guaranteed 15 years.
- ◀ **SPECIFICATION:** Product shall be Model M1100, M1110, M1200 or M1210 as Manufactured by Meek Mirrors, Fort Smith, Arkansas. USA.



PRODUCT MADE IN THE USA.

VETEREN OWNED SMALL BUSINESS.