

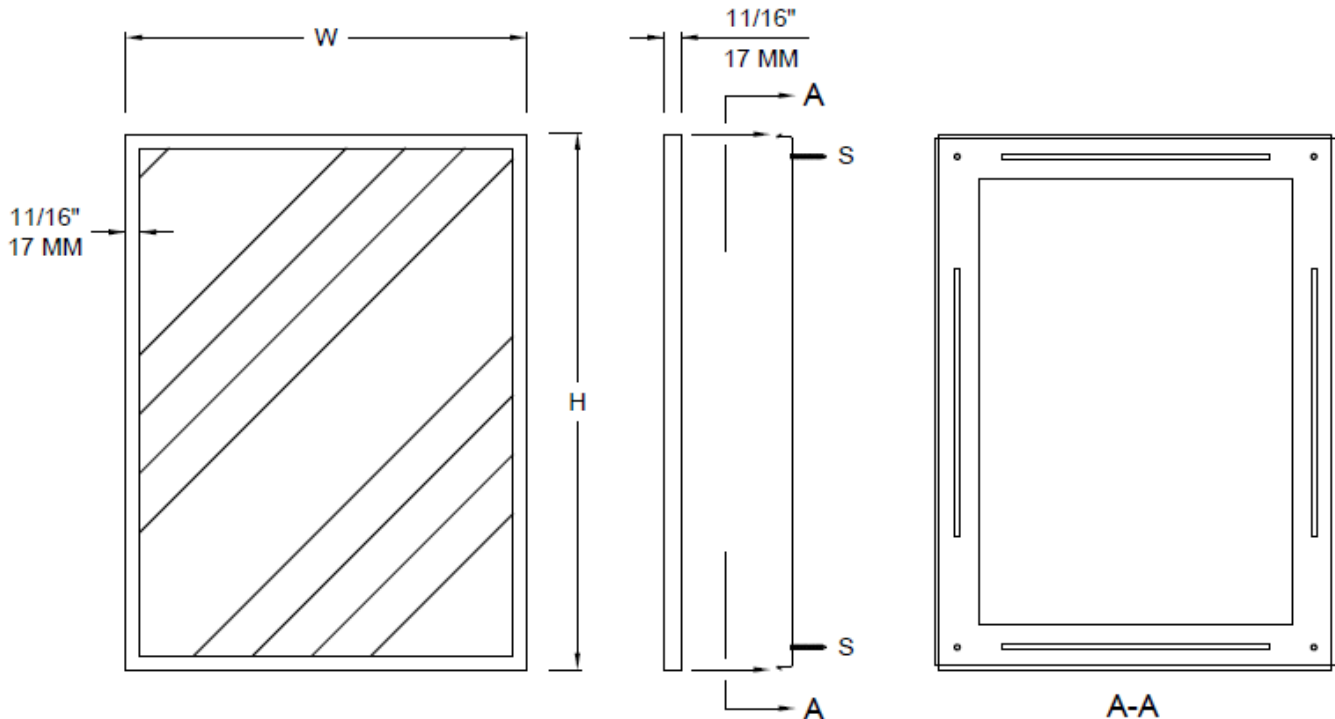


MEEK MIRRORS, LLC
 PO Box 11200
 Fort Smith, Arkansas 72917-1200
 800-643-2533 Fax 479-646-6231
www.meekmirrors.com

**Architectural
 Specification**

STAINLESS STEEL ANGLE FRAME WITH TEMPERED MIRROR	DATE 1/2018	MODEL M1203 M1213	SHEET NO. 1-01
---	----------------	-------------------------	-------------------

M1203/Bright or M1213/Satin - STAINLESS STEEL ANGLE FRAMED TEMPERED MIRROR



MIRROR: 1/4" (6mm) thick tempered mirror with or without tempered logo.

MIRROR PROTECTION: Resilient ethafoam cushioning strips with ample provision for venting.

BACK PLATE: 22 Gauge (.76mm) lock forming quality corrosion-resistant galvanized steel.

FRAME: Welded corner, right angle-formed, Type 304, 18 gauge (1.06mm) stainless steel highly polished to a bright chrome like finish. Satin finish optional. 5/8" (16mm) face, 3/4" (19mm) depth.

INSTALLATION: Disassemble the frame. Mount back plate to wall using screw holes nearest the rolled formed edge. Center mirror on back plate. Starting at bottom center snap frame over rolled flange. Continue snapping toward bottom corners then up the sides and across the top.

GUARANTEE: Tempered mirror does not have the same optic quality as 1/4" float mirror and there may be distortion, irregularities and haziness. For this reason, Meek does not extend a warranty on the surface quality of tempered mirror. However, there is a 5 year warranty against mirror spoilage and there is a 1 year warranty against defects in workmanship.

SPECIFICATION: Product shall be Model M1203 or M1213 as manufactured by Meek Mirrors - Fort Smith, Arkansas. Above data is applicable to productions as of the date of this technical data sheet. The manufacturer reserves the right to make changes in design without formal notice.