



## Cleaning Instructions:

1. The best and safest cleaner for a mirror is clean, warm water used with a soft, lint-free cloth. Be careful to not allow the edges of the mirror to become wet over a period of time.
2. Never spray any cleaner directly onto the mirror. Instead apply the cleaner to the soft cloth and then wipe the mirror. This will also prevent “puddling” at the mirror edge where the cleaner could attack the backing.
3. If that does not work, use commercial cleaner that does not contain ammonia, vinegar, acid or alkali cleaner. All of these can attack the surface edges and back of the mirror resulting in black edge.
4. Do not use acid or alkali cleaners for the mirror after installation. They can attack both the surface and the edges of the mirror. And NEVER use abrasive cleaner on any mirror surface.
5. Remove any surface marks or stubborn dirt with 0000 oil-free steel wool, not solvents. Solvents attack and damage edges and backing.
6. Always use soft grit free cloths when cleaning a mirror to reduce chances of scratching the surface.
7. Be sure to dry all joints and edges thoroughly to be certain that no commercial cleaner comes in contact with the edge and backing.

## Warranty Information:

**NOTE:** *Improper Cleaning or Installation will void the warranty.*

Visit our website to view full warranty information or scan the QR code on your smart phone.



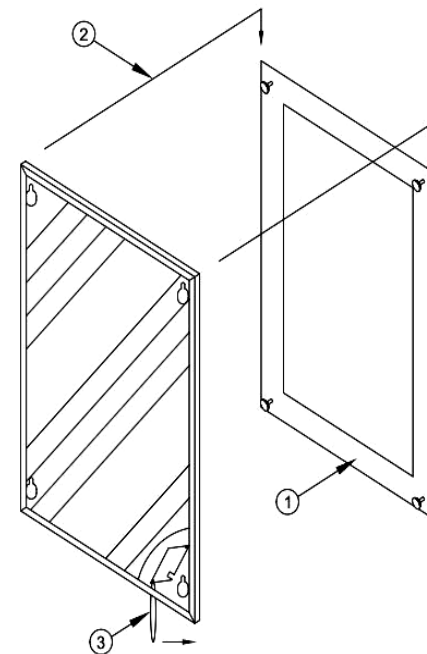
## QR Code Reader:

QR Code Readers can be downloaded to any iPhone or Android Phone.  
For iPhone users: go to the App Store on your phone and search QR Code Reader.  
For Android users: go to your phones Google Play or Android App Store and search for QR Code readers.

## Installation Instructions:

1. Install wall plate on wall. Fasten all four corners using the pre-drilled holes. Recheck to make sure wall plate is square and level.
2. Center framed mirror over the wall plate slide the mirror completely down on the lugs. Check all four corners to ensure they are fastened to the wall plate.
3. Pull string toward the right corner to engage the security lock. After the final inspection, cut and remove the string.
4. To remove mirror: insert putty knife at the bottom right side and push the security lock back to the left. Lift up and remove.

PRODUCT MADE IN THE USA.



## Installation Videos:

Visit our website [www.meekmirrors.com](http://www.meekmirrors.com) to view our installation videos  
\*Scan the QR code to view them on your smart phone\*

