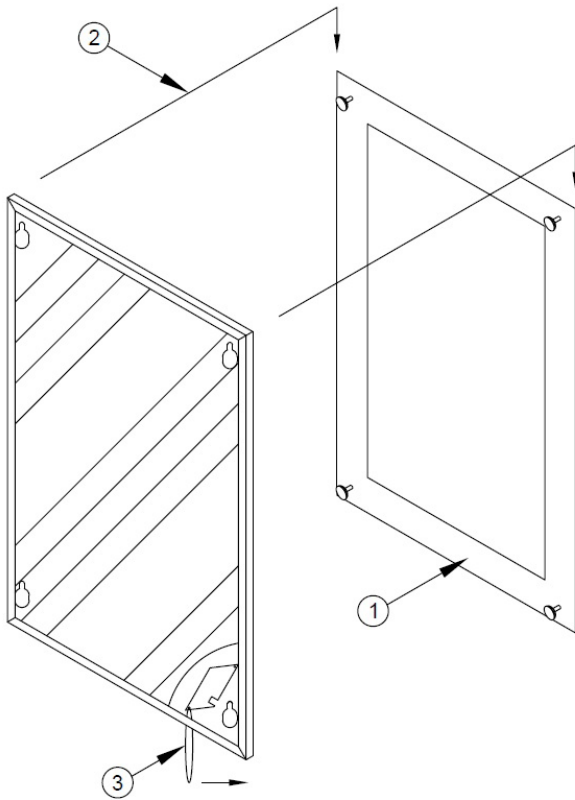


# Channel Framed Mirror M1500 (Bright) & M1510 (Satin) Installation Instructions



## Architectural Install Sheet

6201 S. Zero Street  
Fort Smith, AR 72903  
(479) 646-3466  
[www.meekmirrors.com](http://www.meekmirrors.com)



- ◀ Install wall plate on the wall. Fasten all four corners using the pre-drilled holes. Recheck to make sure wall plate is square and leveled.
- ◀ Center framed mirror over the wall plate. Slide the mirror completely down on the lugs. Check all four corners to ensure they are fastened to the wall plate.
- ◀ Pull string towards the right corner to engage the security lock. After the final inspection, cut and remove the string.
- ◀ To remove the mirror, insert putty knife at bottom right side and push security lock back to the left. Lift up and remove.



PRODUCT MADE IN THE USA.



VETERAN OWNED SMALL BUSINESS.