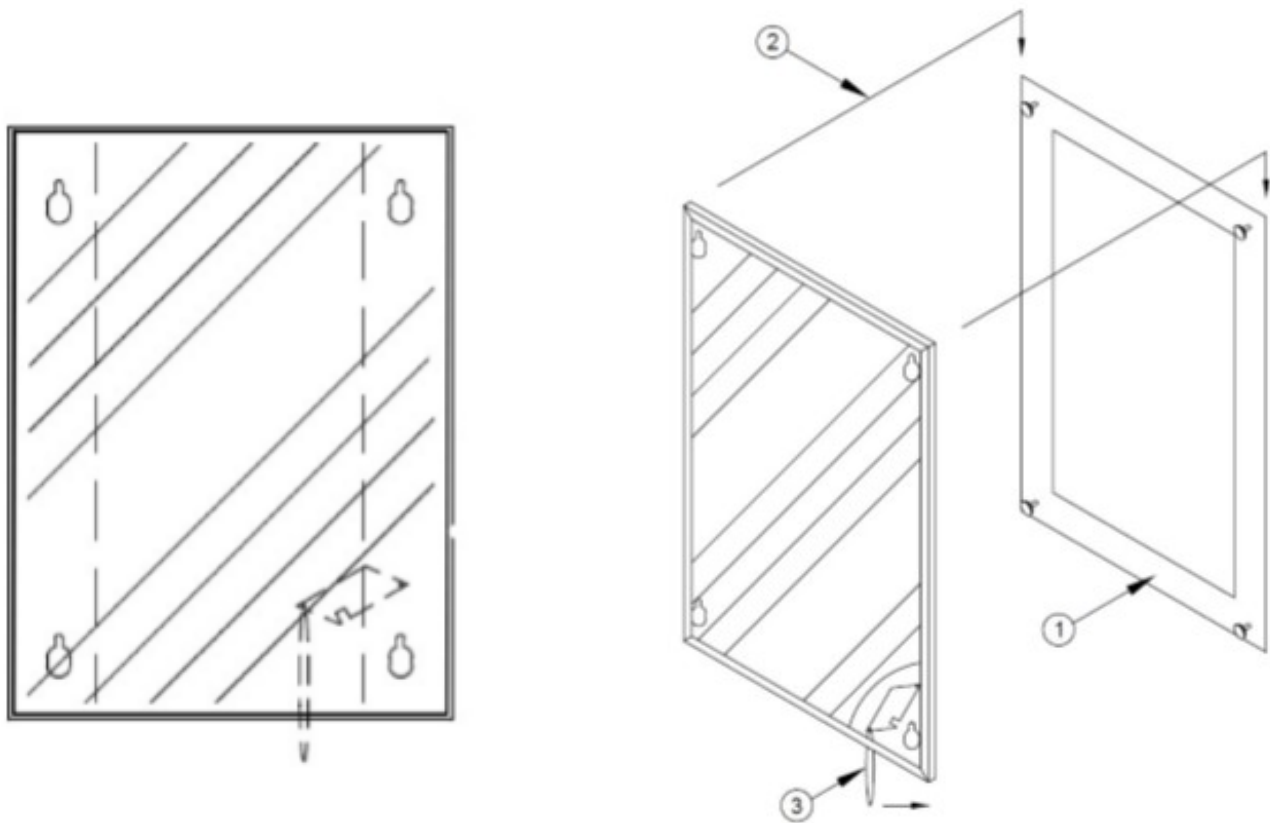




M7112—Infinity Floating Mirror Install Sheet

6201 S. Zero Street Fort Smith, AR 72903 (479)646-3466 www.meekmirrors.com



Install:

1. Mount wall plate to the wall by fastening all four corners using the pre-drilled holes. Recheck to make sure wall plate is square and level.
2. Center mirror unit over wall plate. Slide the mirror completely down on the lugs. Check all four corners to ensure they are fastened to the wall plate.
3. Pull string toward the right corner to engage the security lock. After final inspection, cut and remove the string.

Removal:

To remove mirror, insert putty knife or flat piece of metal at the bottom right side and push the security lock back to the left. Lift up and remove.